

**LINTEL  
DETAILS  
&  
FOUNDATION  
SECTIONS**

**OPTIMUM PERSONAL CARE PH.2**  
1110 LAKEVIEW DRIVE  
SUGAR LAND, TX 77478

**ISSUE HISTORY**

DATE	ISSUED FOR
	CLIENT REVIEW
	PERMIT
	CONSTRUCTION

05/23/18



**PE** BUILDINGS  
BRIDGES  
INSPECTIONS  
MARINE STRUCTURES  
CIVIL ENGINEERING &  
STRUCTURAL ENGINEERING

**PARAMOUNT  
ENGINEERING  
LLC**

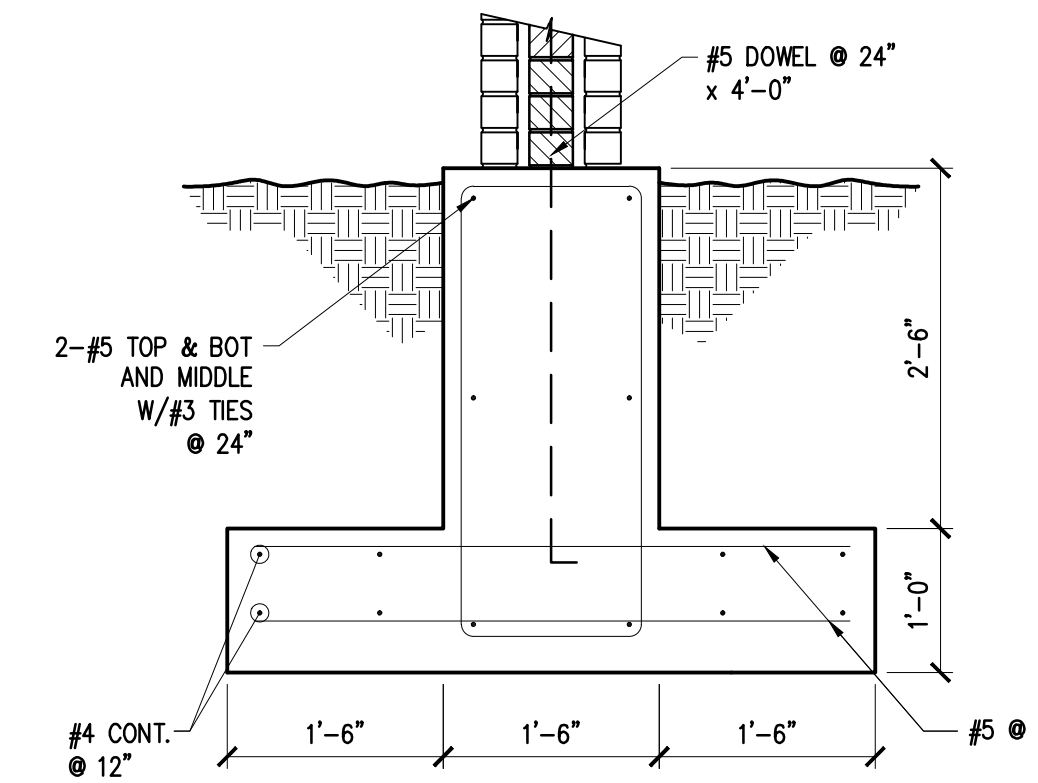
10145 LONG POINT DR.  
HOUSTON, TX 77043  
TEL : (713) 636-9977  
FAX : (713) 888-9872  
CEL : (713) 204-1742

TBPE REGISTRATION # F-3394

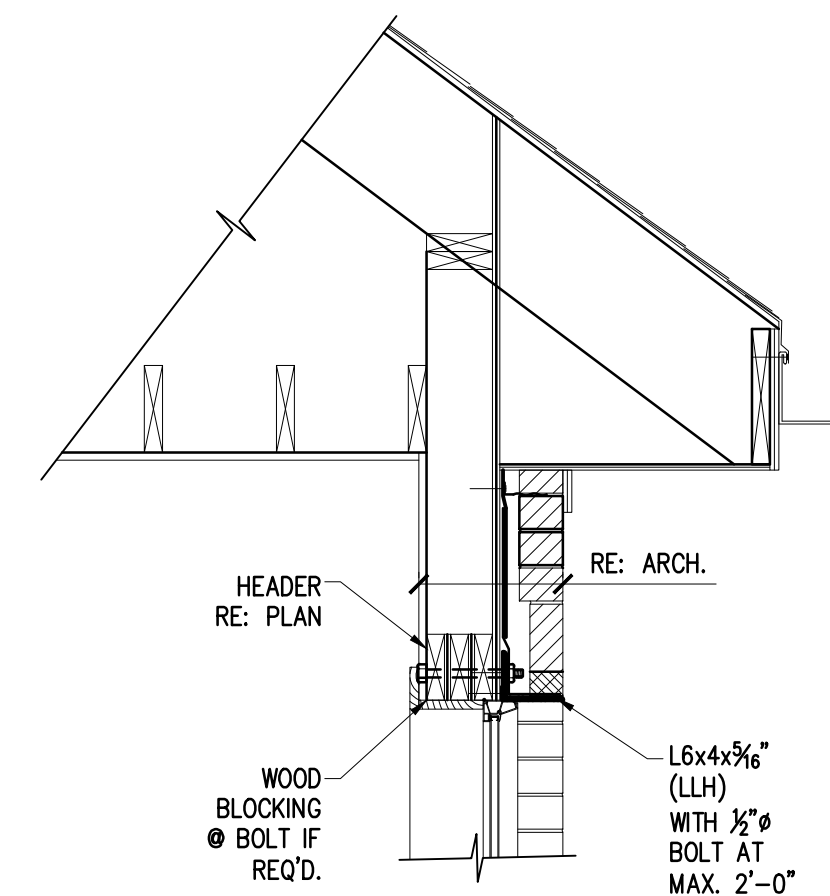
DRAWN BY: Z.A. CHECKED BY: M.M.

PROJ. NO.: PE12-225

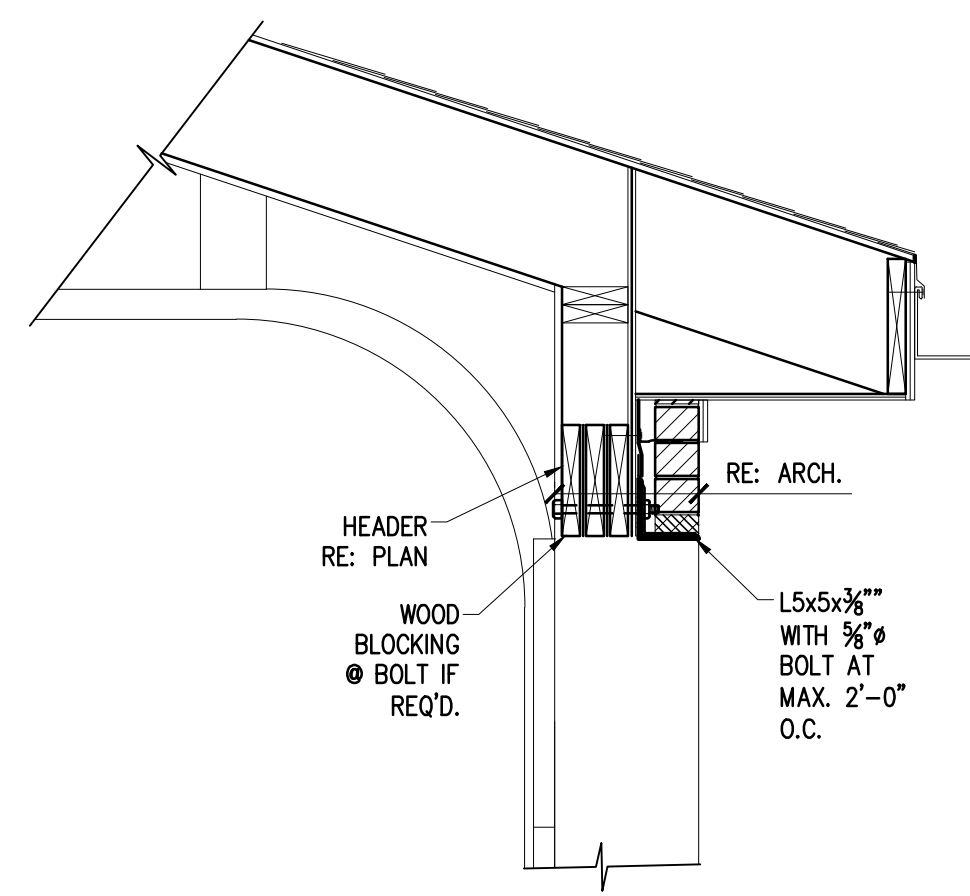
SHEET: **S11**



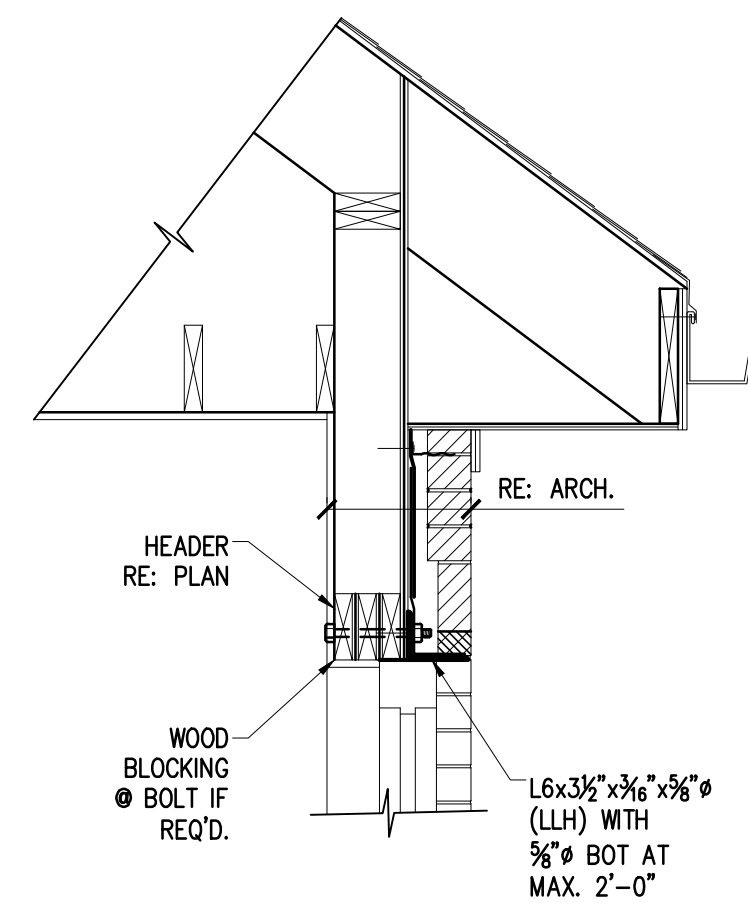
**1 SECTION: GATE WALL FONDATION DETAIL**



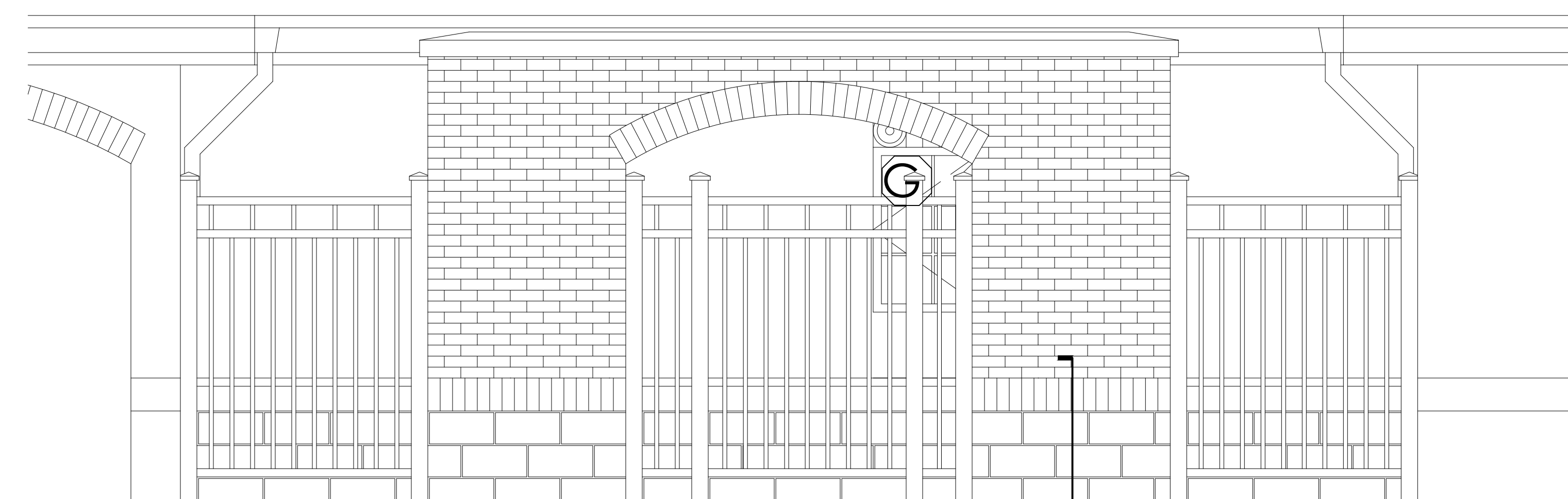
**5 DETAIL: AT WINDOW LINTEL**



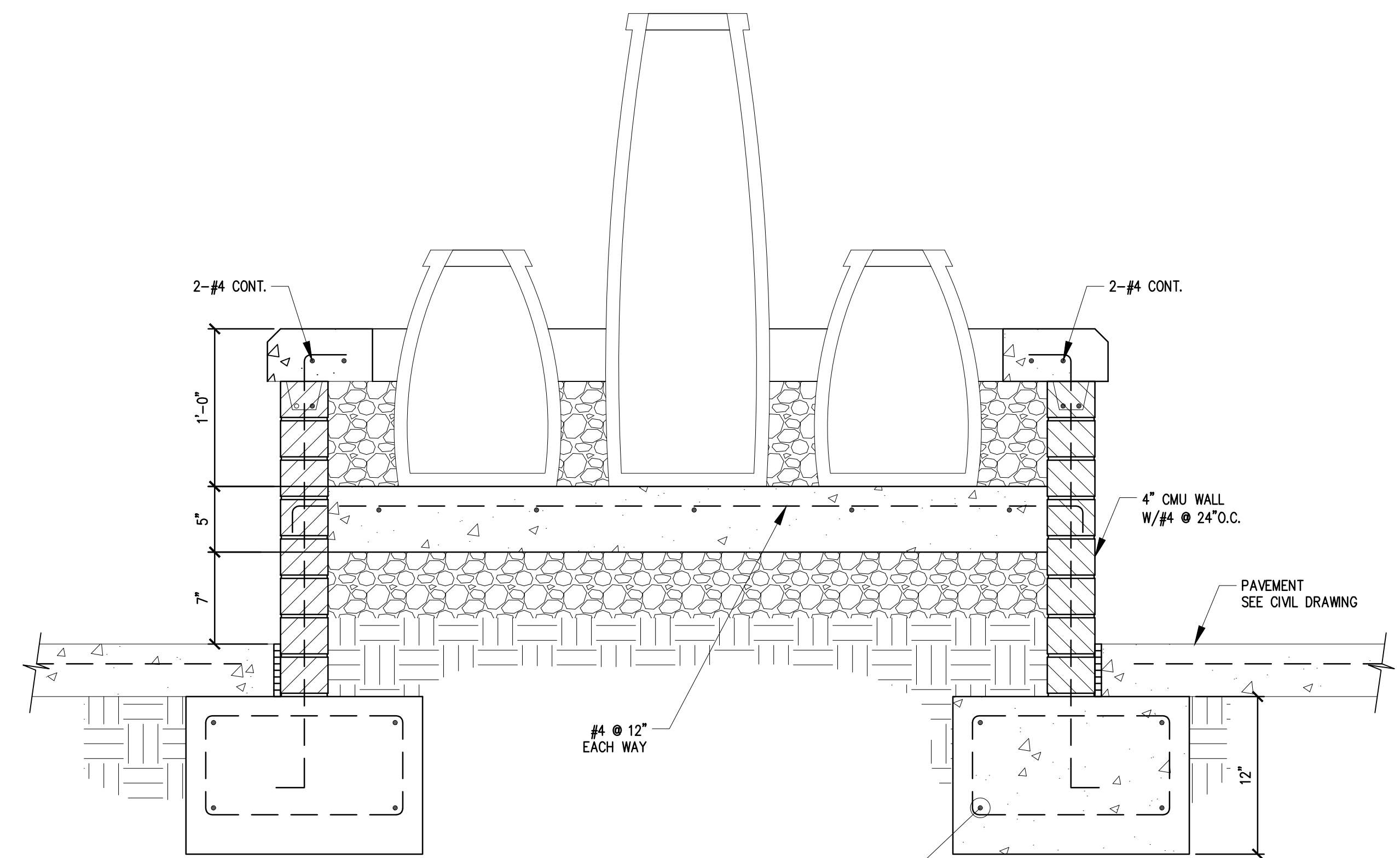
**4 DETAIL: AT GARAGE LINTEL**



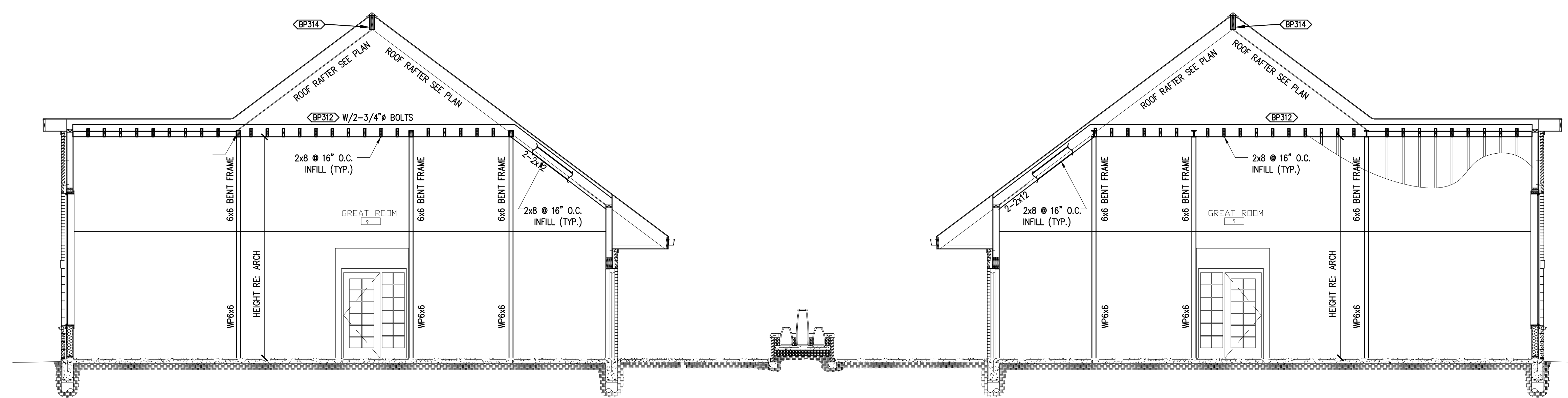
**3 DETAIL: AT DOOR LINTEL**



**GATE ENTRANCE ELEVATION/FOUNDATION**  
SCALE: 1 1/2" = 1'-0"



**FOUNDATION AT FOUNTAIN**  
SCALE: 1 1/2" = 1'-0"



**2 SECTION: AT GREAT ROOM**