

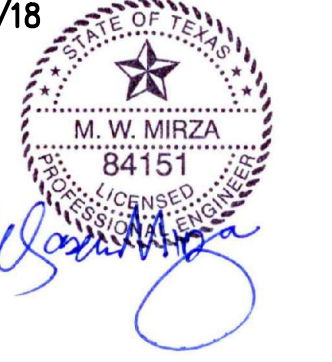
**PARTIAL
FOUNDATION
PLANS**

OPTIMUM PERSONAL CARE PH.2
1110 LAKEVIEW DRIVE
SUGAR LAND, TX 77478

ISSUE HISTORY

| DATE | ISSUED FOR |
|------|---------------|
| | CLIENT REVIEW |
| | PERMIT |
| | CONSTRUCTION |

05/23/18



PE BUILDINGS
BRIDGES
INSPECTIONS
MARINE STRUCTURES
CIVIL ENGINEERING &
STRUCTURAL ENGINEERING

**PARAMOUNT
ENGINEERING
LLC**

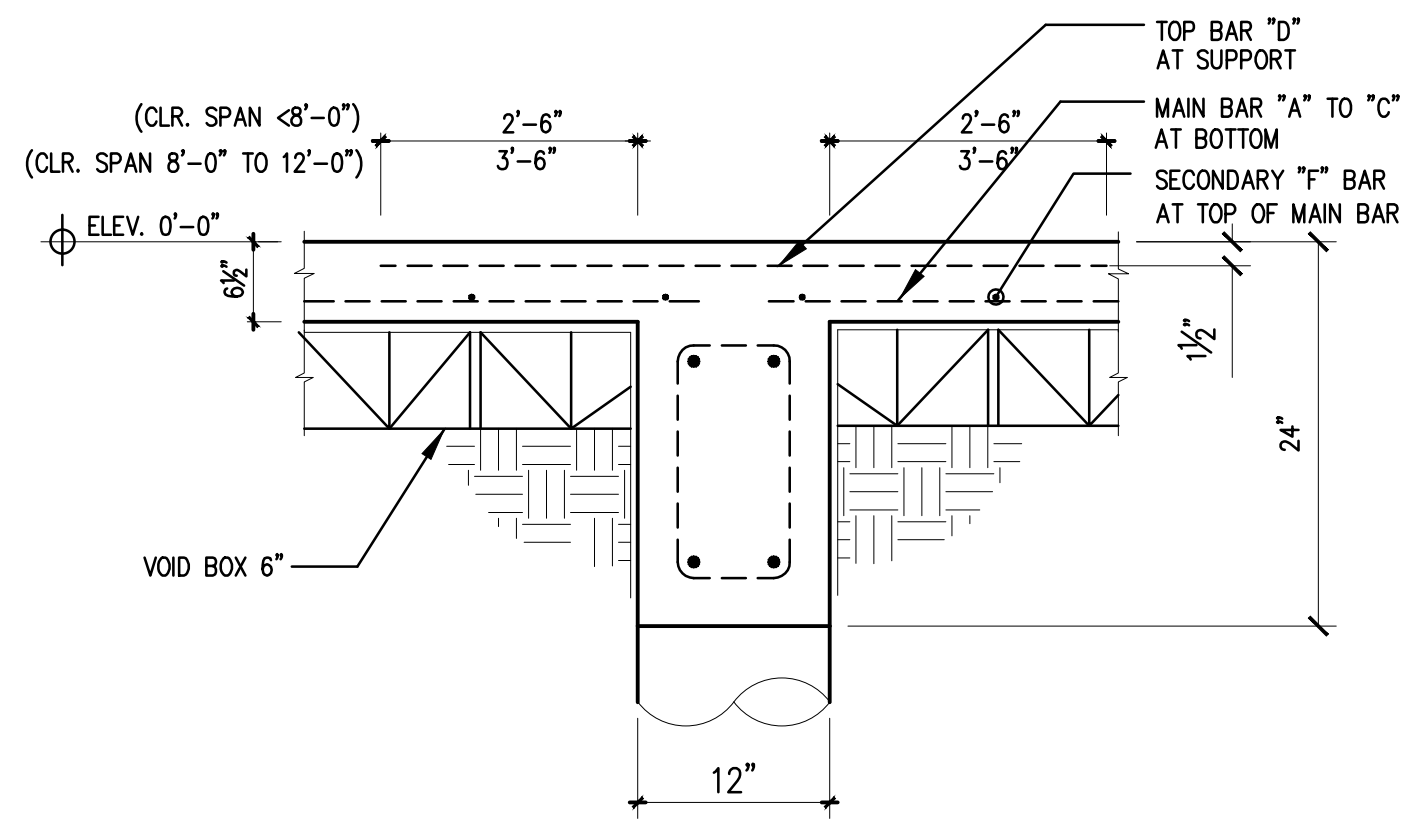
10145 LONG POINT DR.
HOUSTON, TX 77043
TEL : (713) 636-9977
FAX : (713) 888-9872
CEL : (713) 204-1742

TBPE REGISTRATION # F-3394

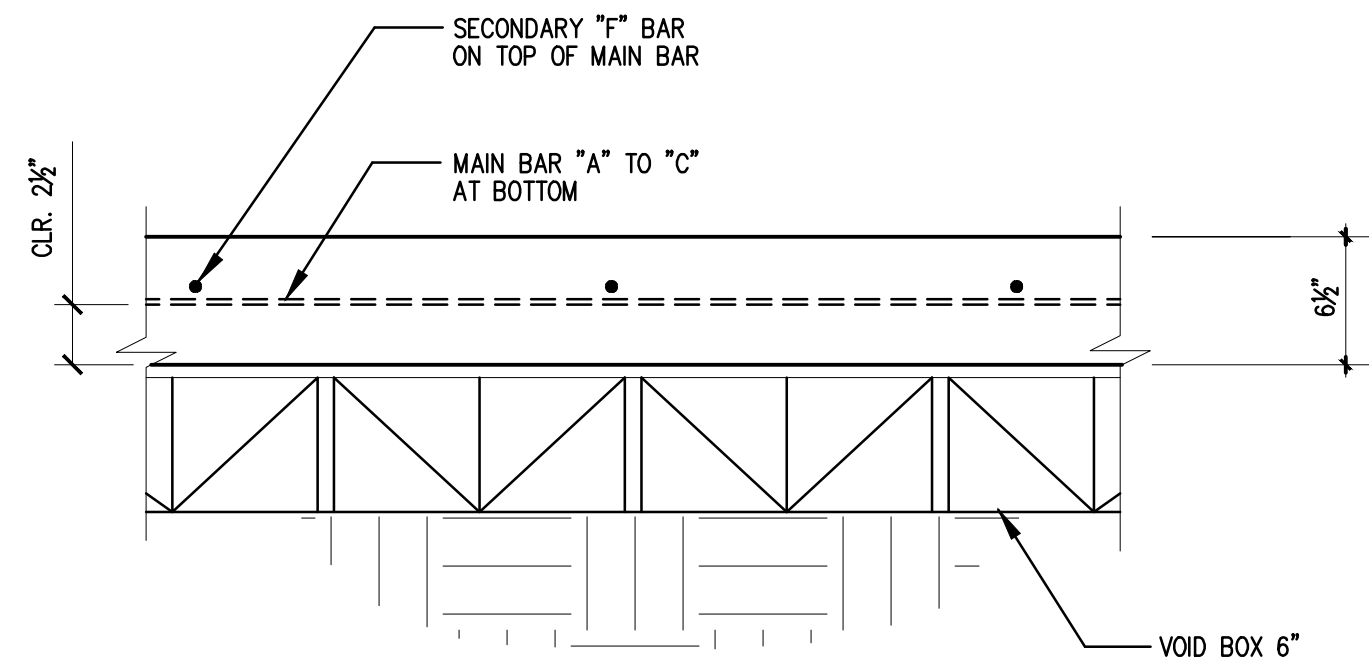
DRAWN BY: Z.A. CHECKED BY: M.M.

PROJ. NO.: PE12-225

SHEET: **S1C**



DETAIL-A
SLAB REINFORCEMENT AT
INTERIOR SUPPORT BEAM
NOT TO SCALE



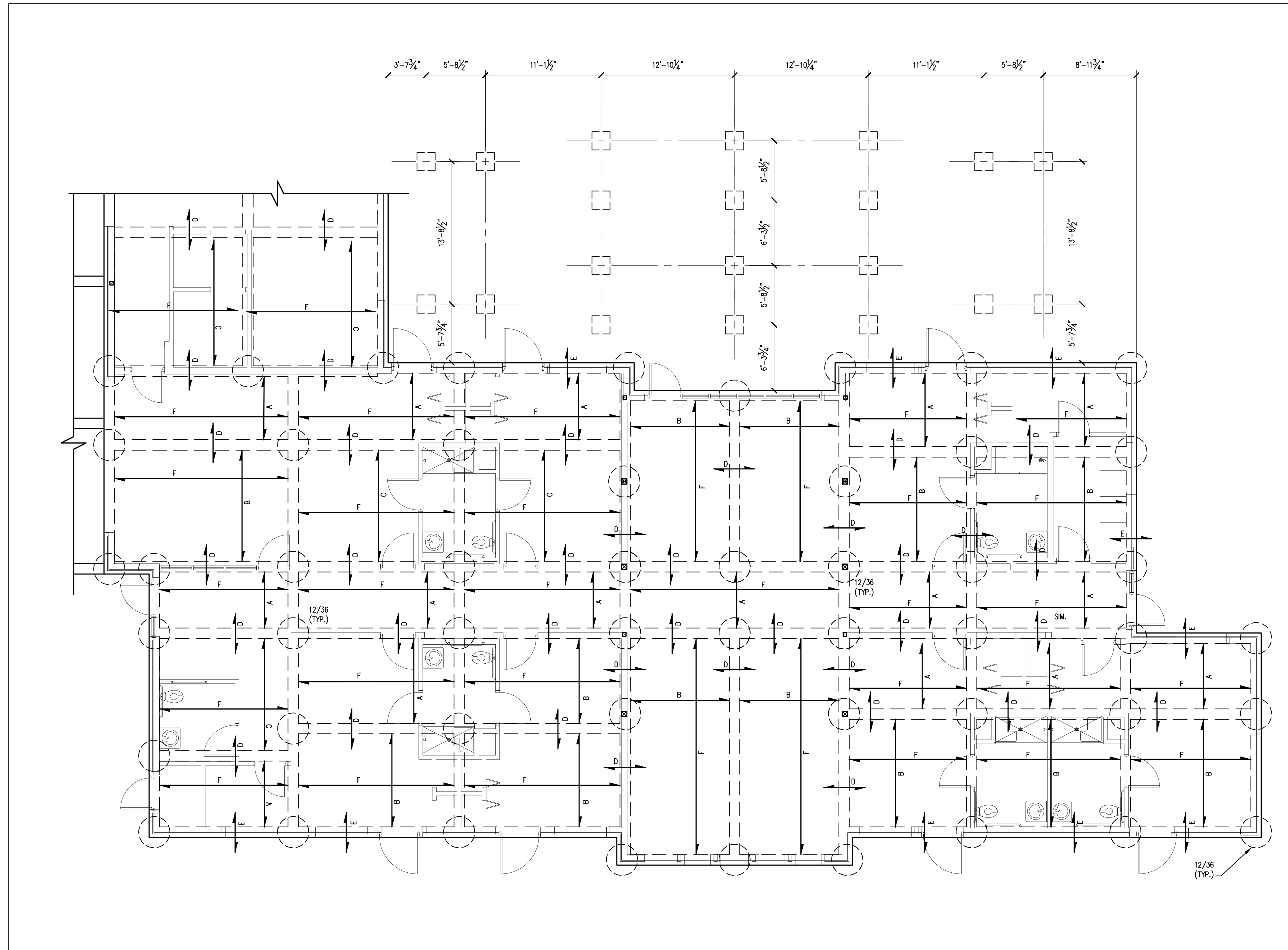
**SECTION: TYPICAL SLAB
REINFORCEMENT ARRANGEMENT**
NOT TO SCALE

**SCHEDULE OF REINFORCEMENT
OF STRUCTURAL SLAB**

| BAR I.D. | LOCATION | SIZE & SPACING |
|----------|---|----------------|
| A | MAIN BAR AT BOTTOM | #5 @ 12" |
| B | MAIN BAR AT BOTTOM | #5 @ 9" |
| C | MAIN BAR AT BOTTOM | #5 @ 8" |
| D | TOP BAR AT SUPPORT. SEE DETAIL A ON THIS SHEET | #5 @ 12" |
| E | 3'-6" LONG BAR TOP AT SUPPORT | #5 @ 12" |
| F | SECONDARY BAR AT BOTTOM | #3 @ 15" |

LEGEND:

→ DIRECTION OF REINFORCEMENT EXTEND
SUPPORT TO SUPPORT



DETAIL-1: TYPICAL SLAB REINFORCEMENT
SCALE: 3/16" = 1'-0"