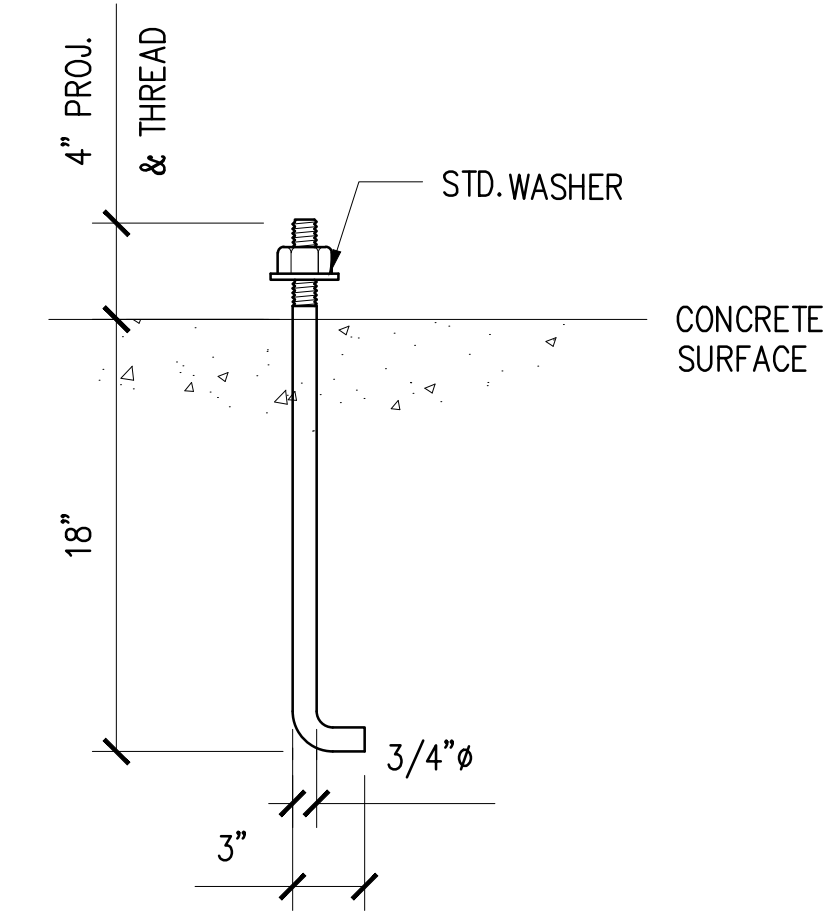
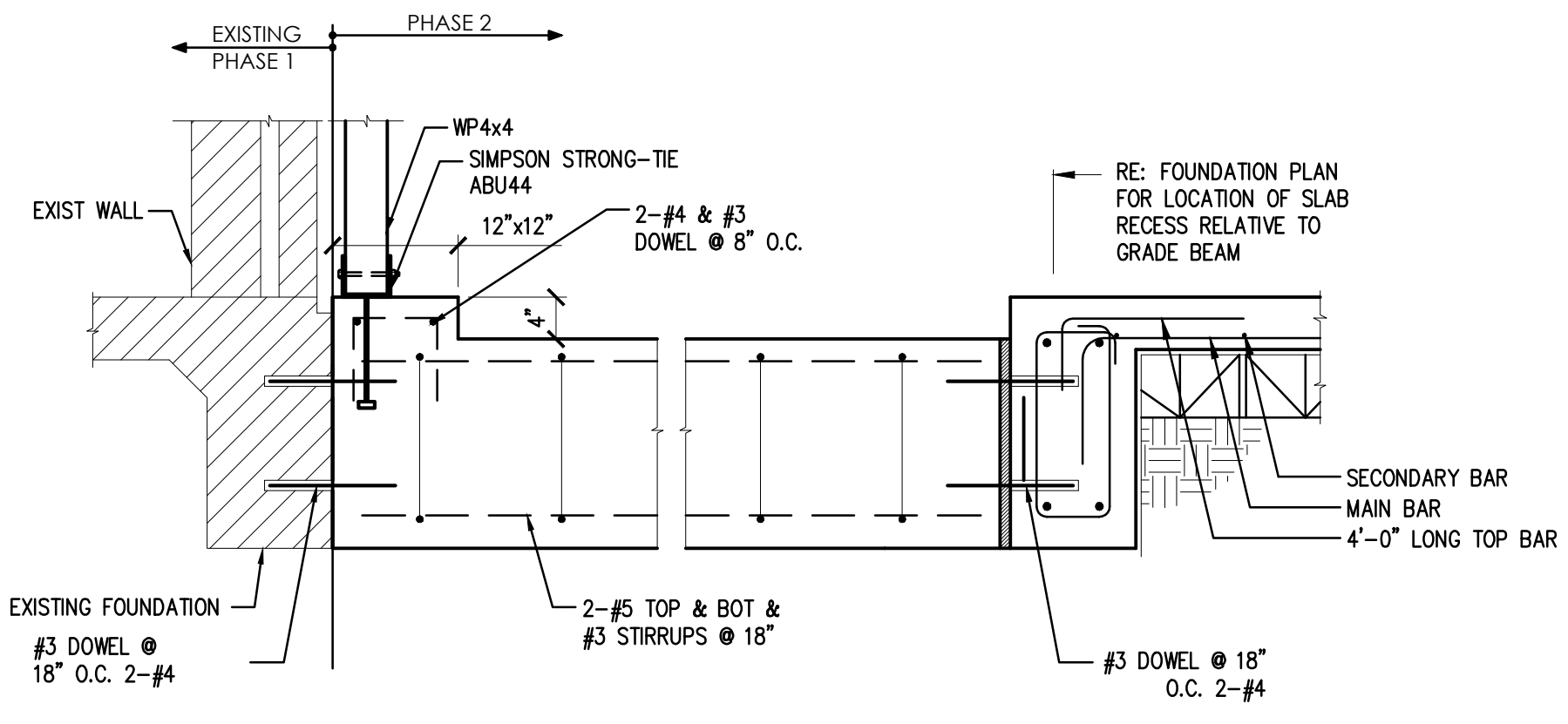


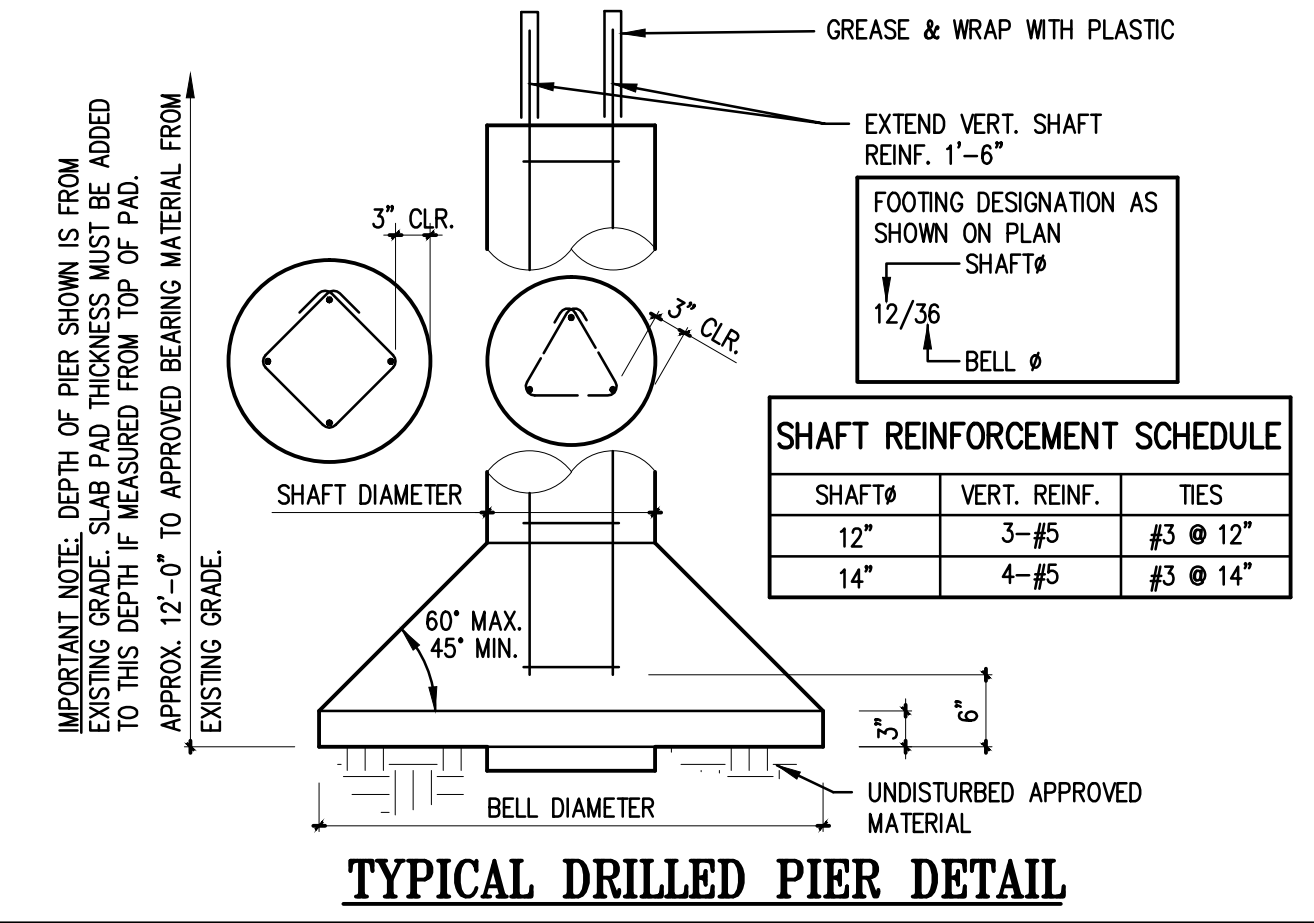
**BASE PLATE DETAIL**



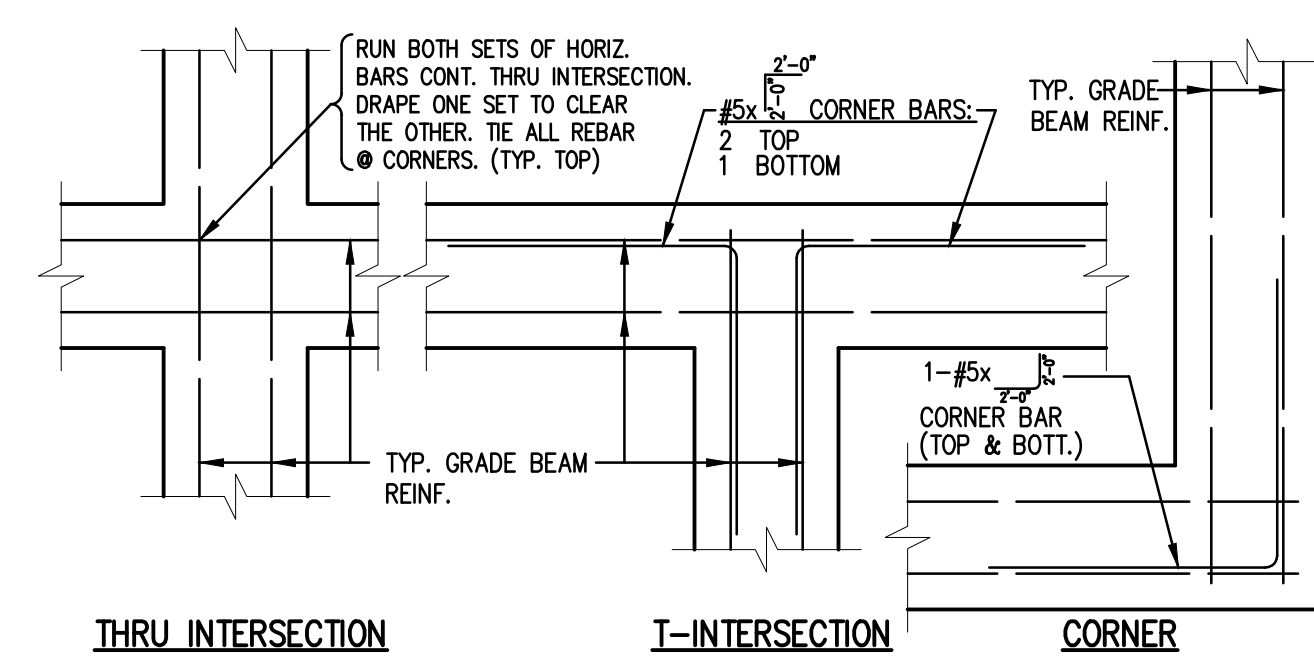
**ANCHOR BOLT DETAIL**



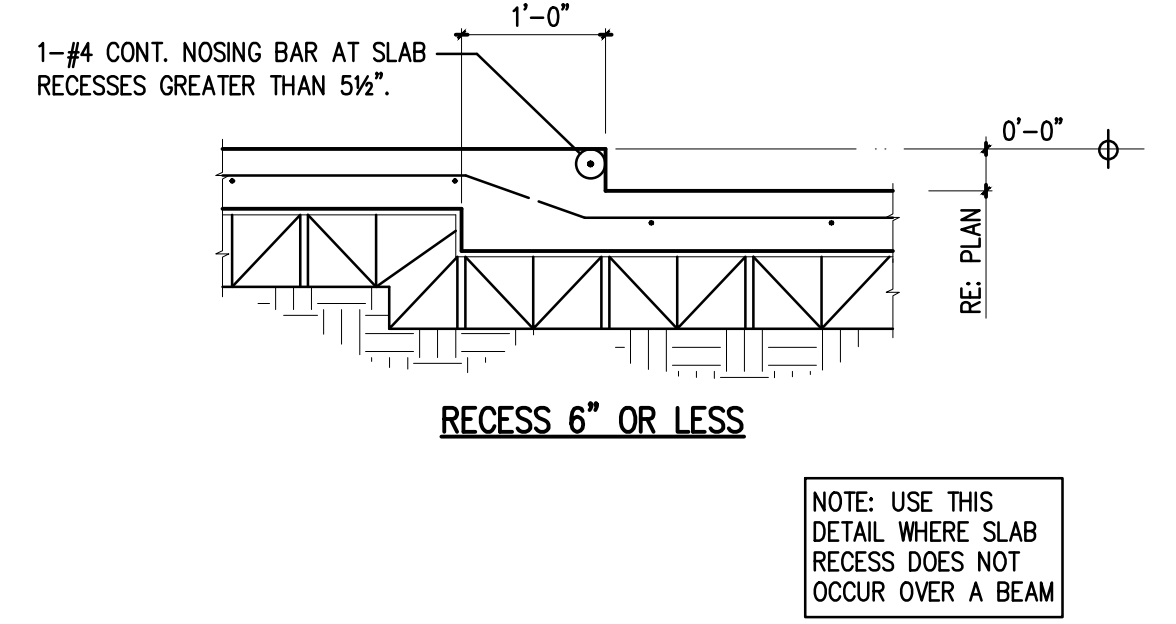
**10 SECTION: CONN. BETWEEN WALK WAY & EXISTING GRADE BEAMS**



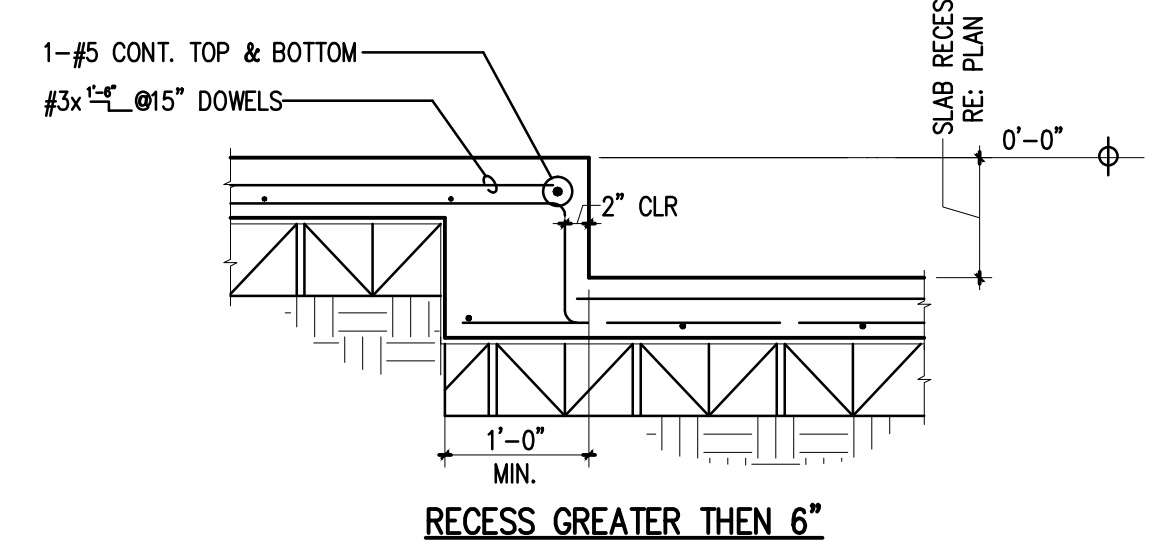
**TYPICAL DRILLED PIER DETAIL**



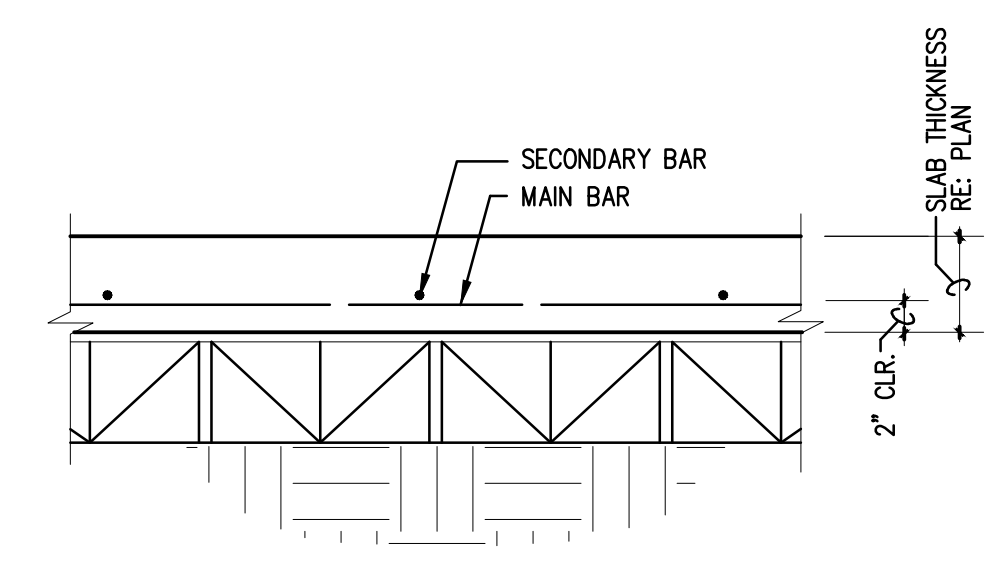
**TYPICAL REINFORCEMENT DETAILS @ GRADE BEAM INTERSECTIONS**



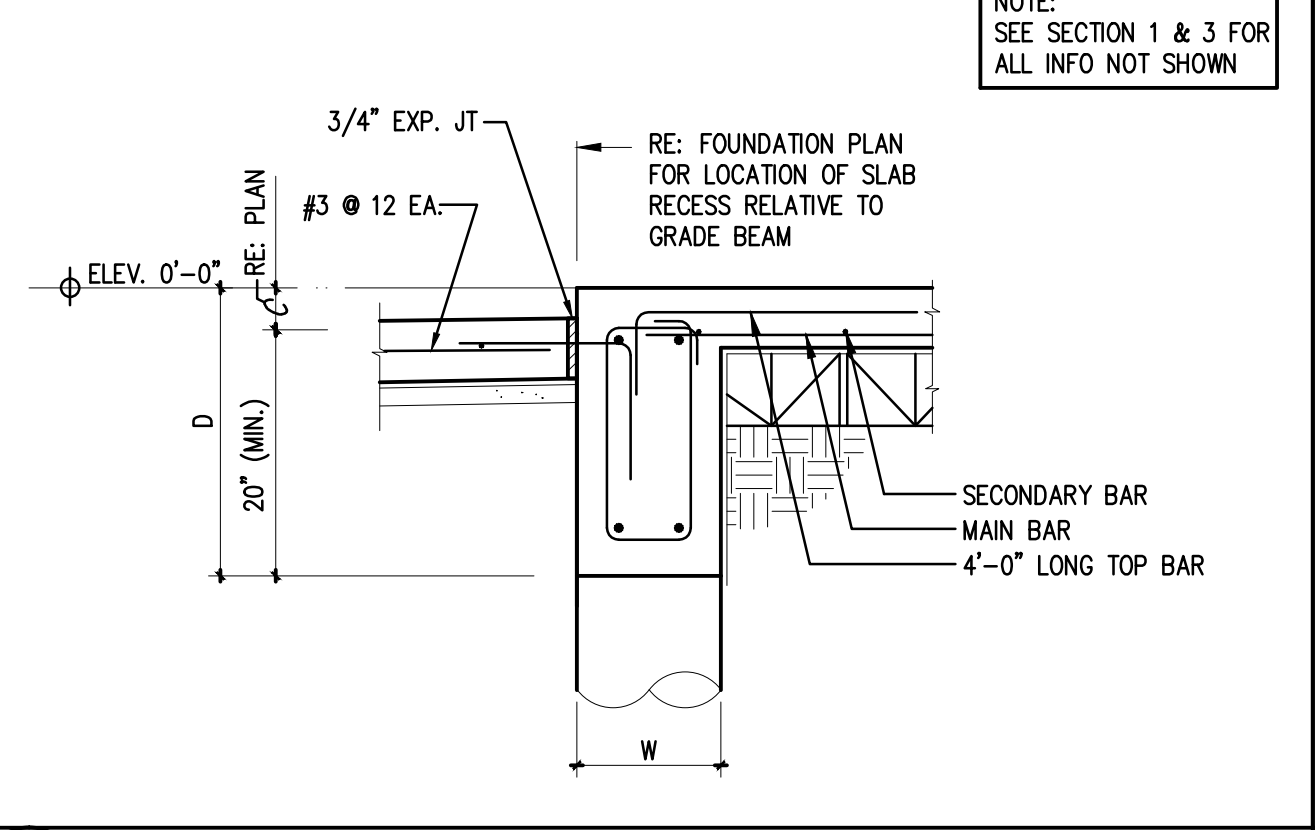
**RECESS 6" OR LESS**



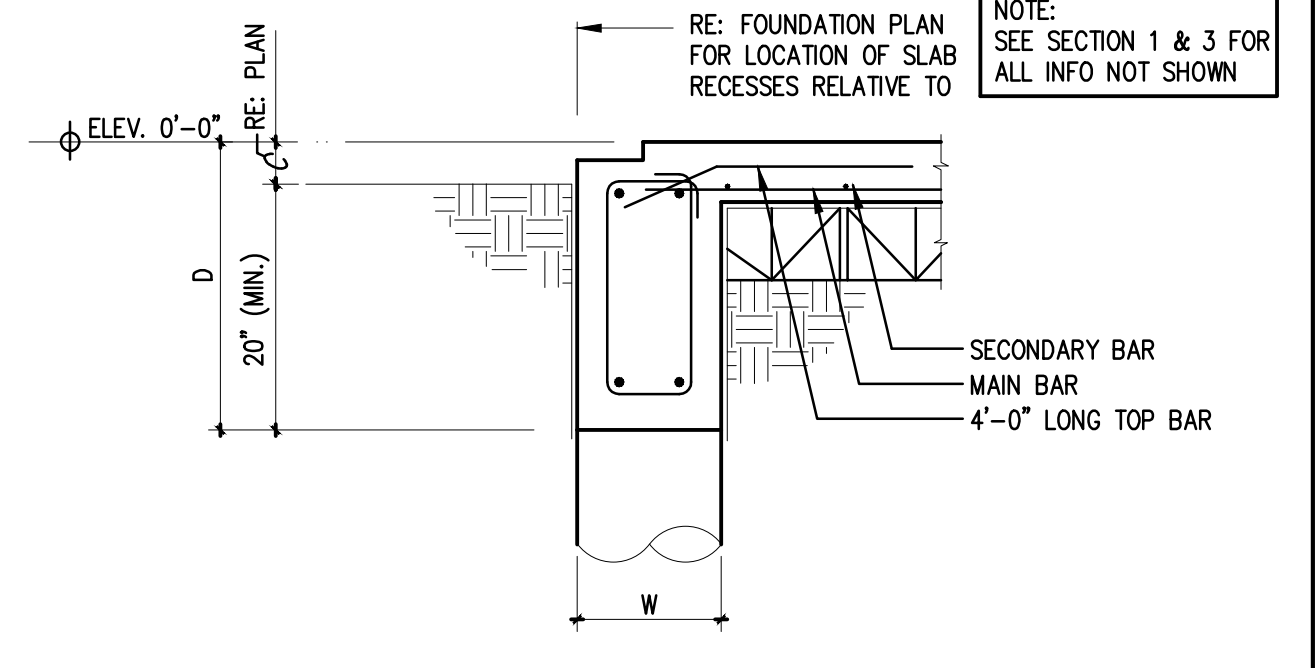
**TYPICAL SLAB RECESS DETAIL**



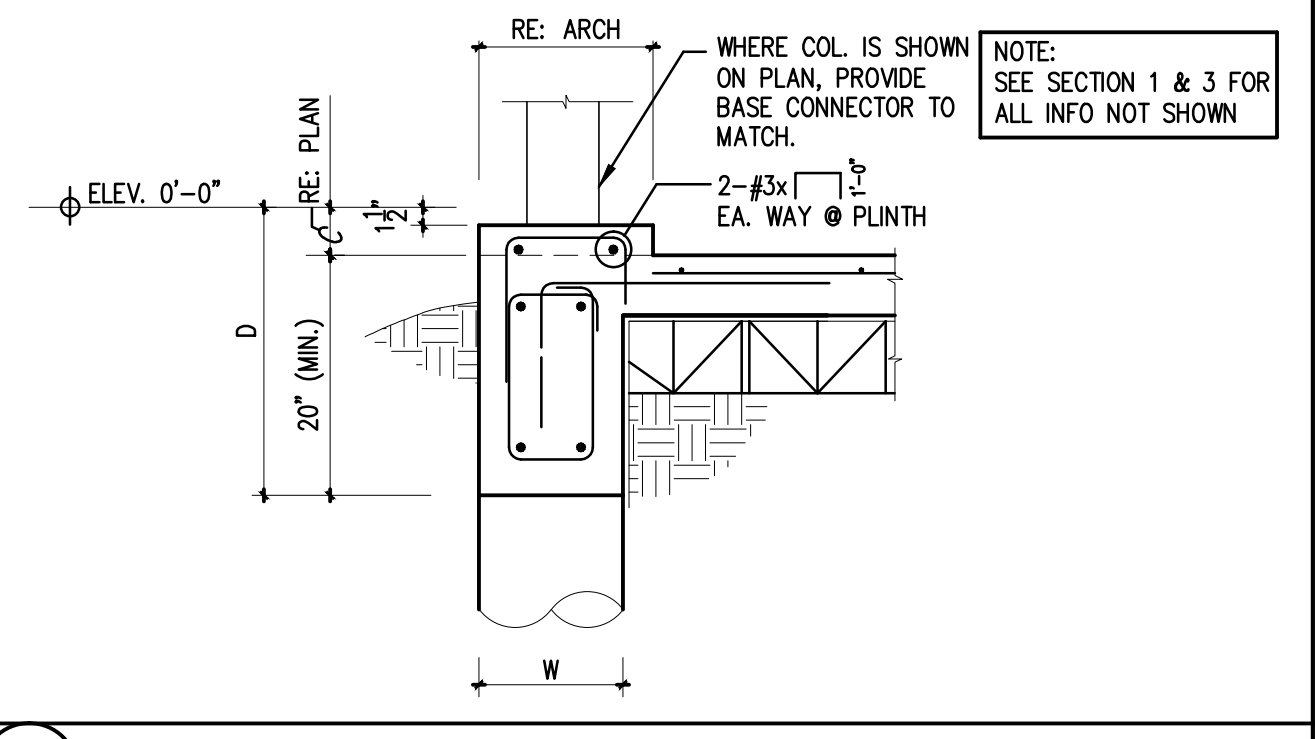
**TYPICAL SLAB REINFORCEMENT ARRANGEMENT**  
NOT TO SCALE



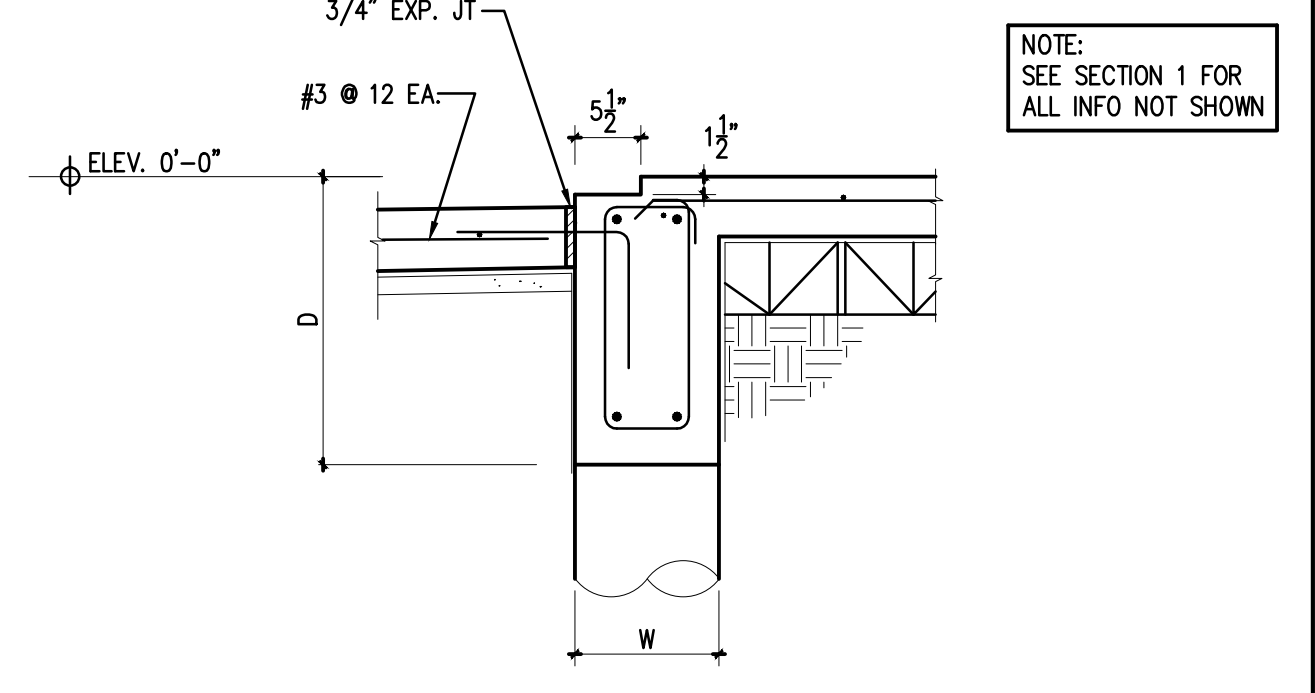
**6 SECTION: TYPICAL GRADE BEAM @ SLAB RECESS**



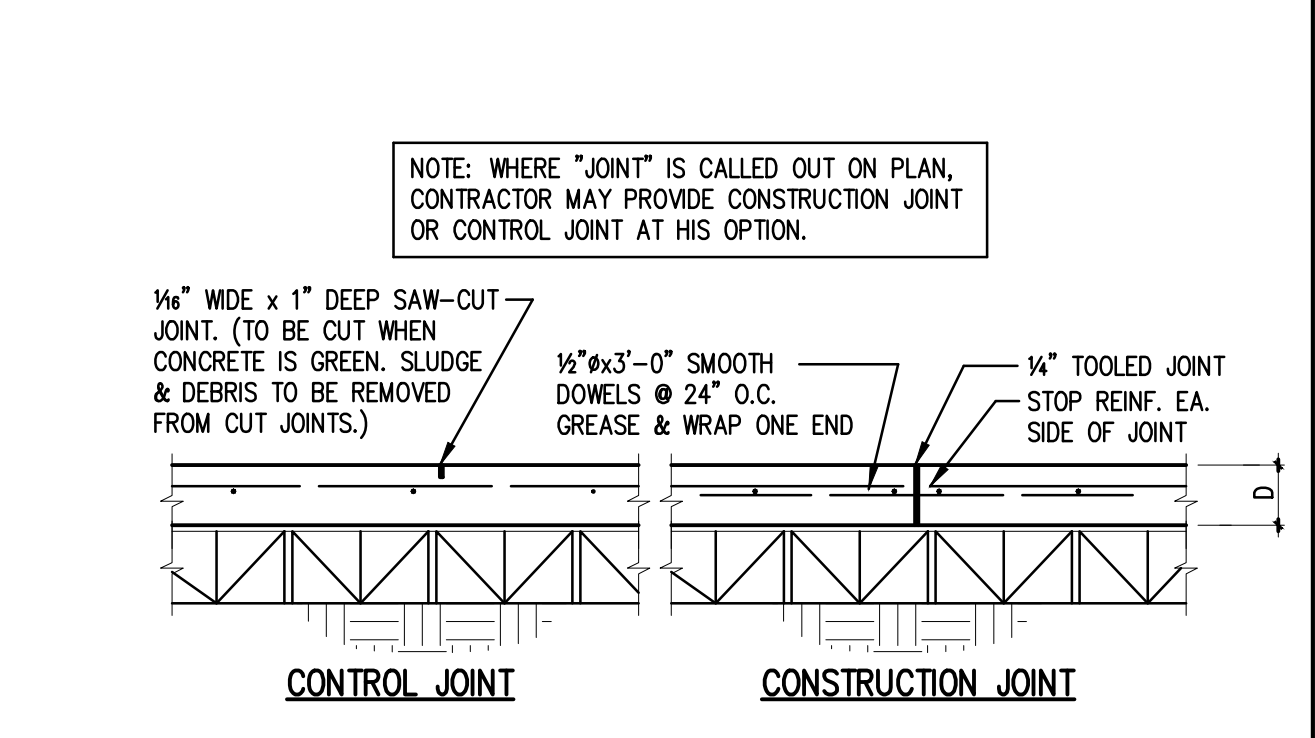
**7 SECTION: TYPICAL GRADE BEAM @ SLAB RECESS W/ BRICK**



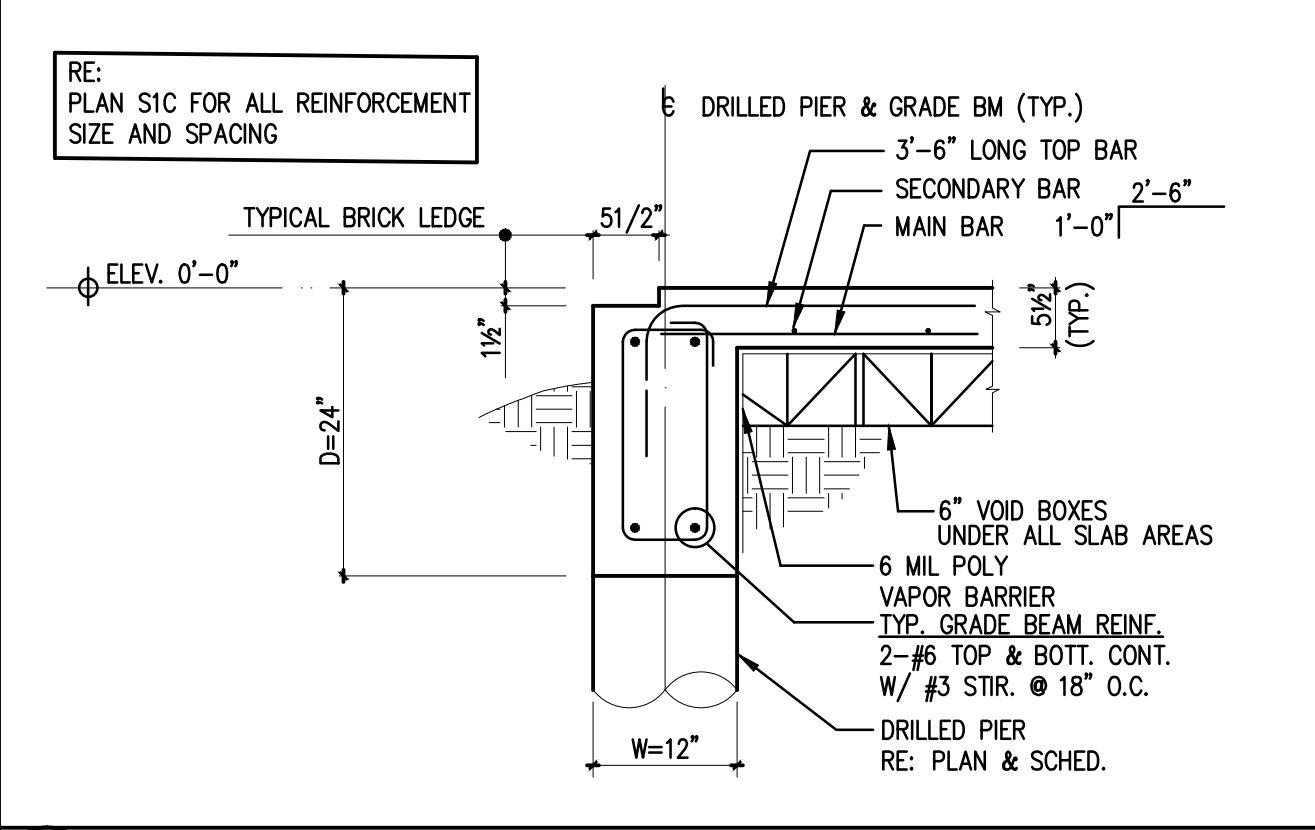
**8 SECTION: TYPICAL GRADE BEAM @ PLINTH**



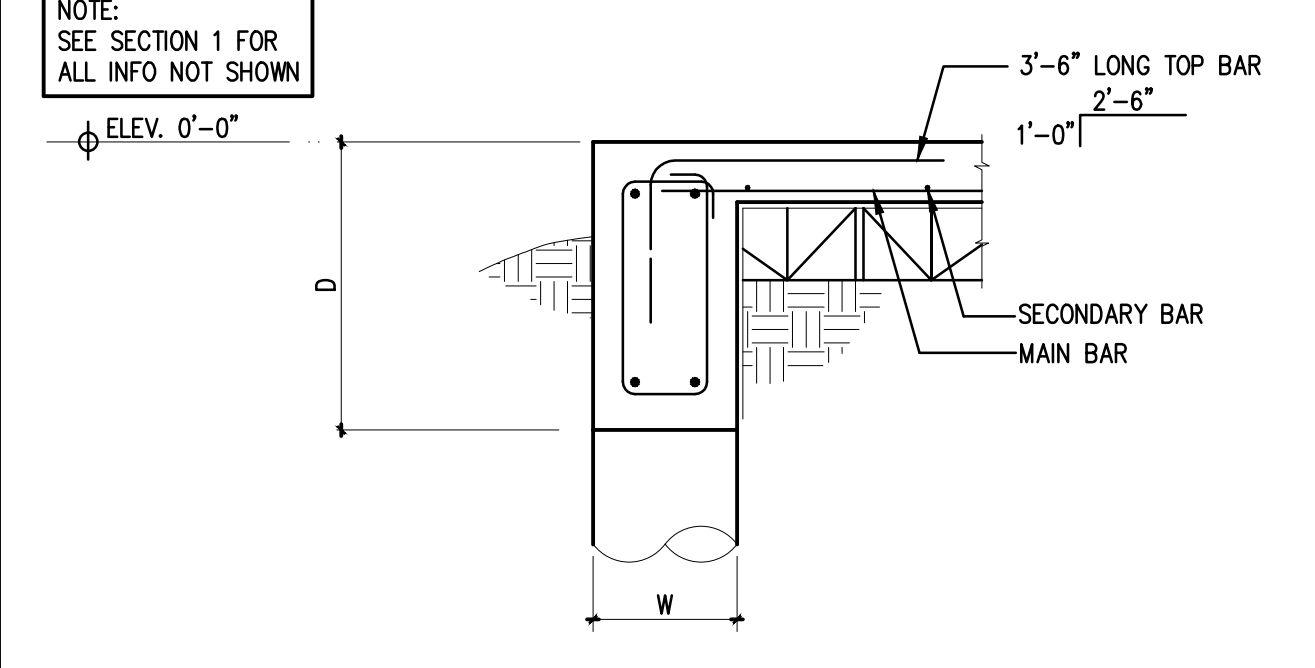
**9 SECTION: TYPICAL EXTERIOR GRADE BEAM W/ BRICK**



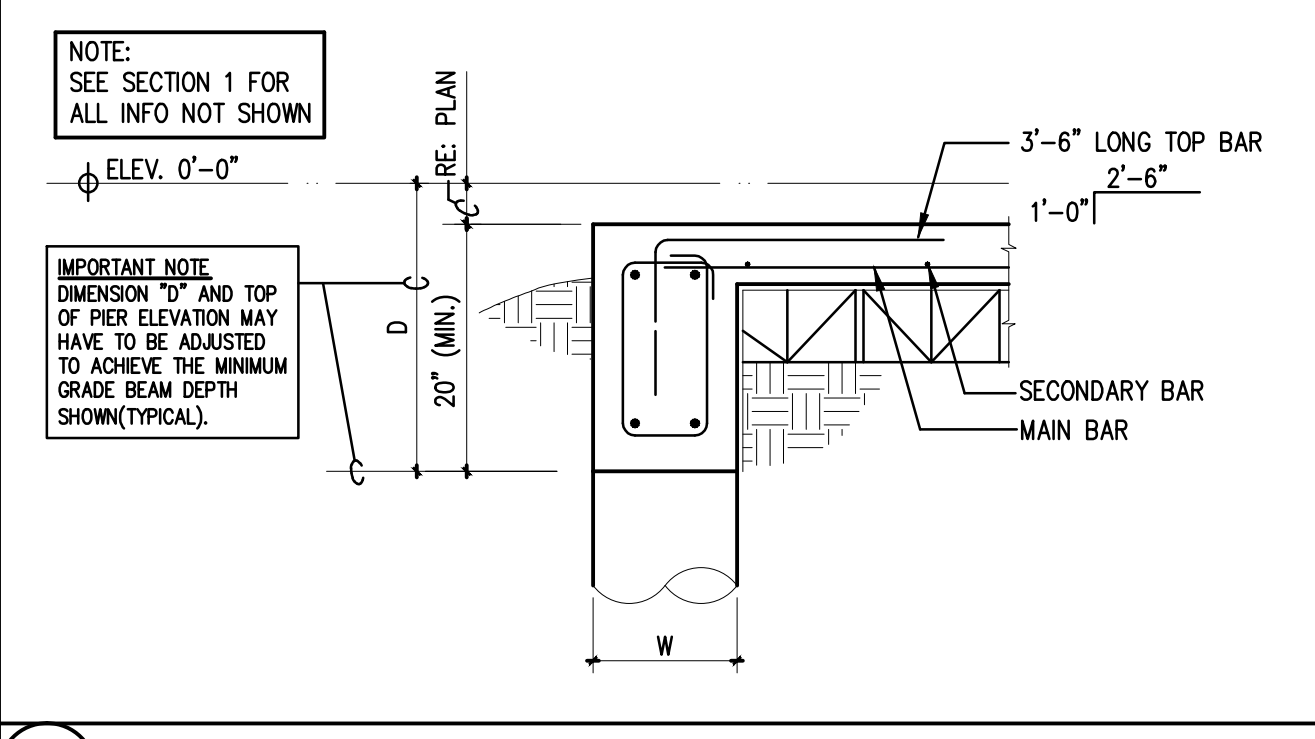
**TYPICAL SLAB JOINT DETAILS**



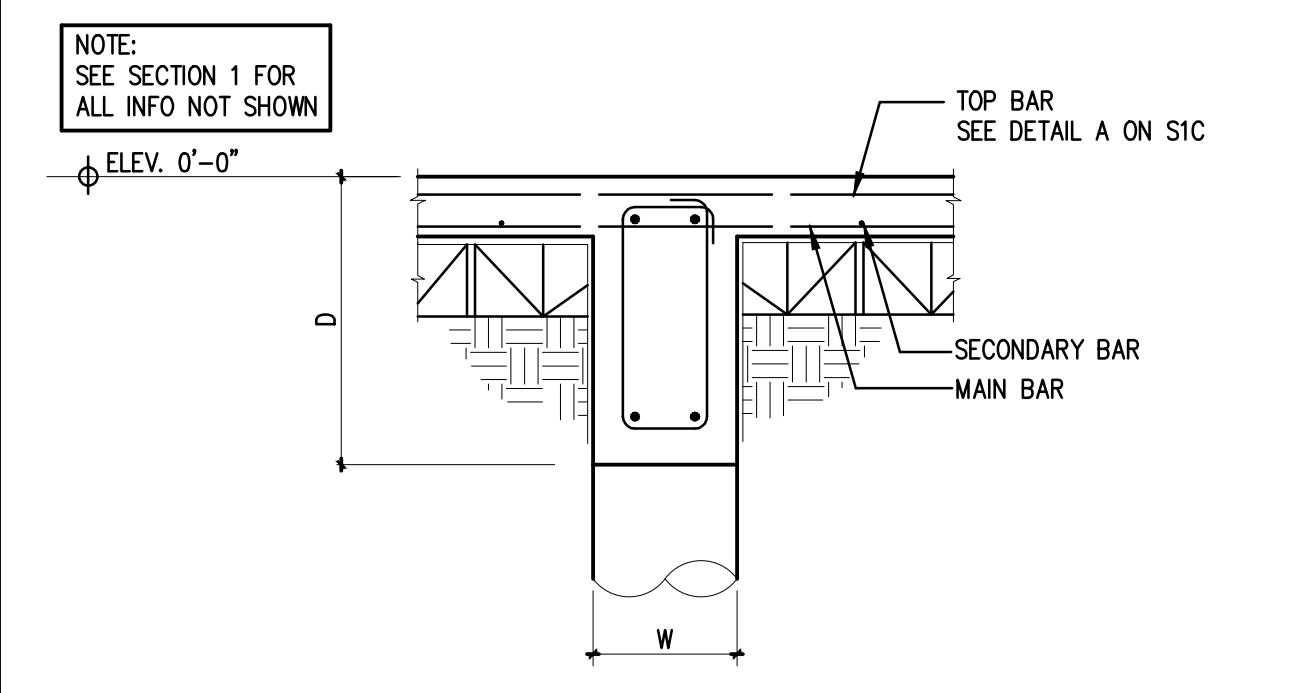
**1 SECTION: TYPICAL GRADE BEAM @ BRICK LEDGE**



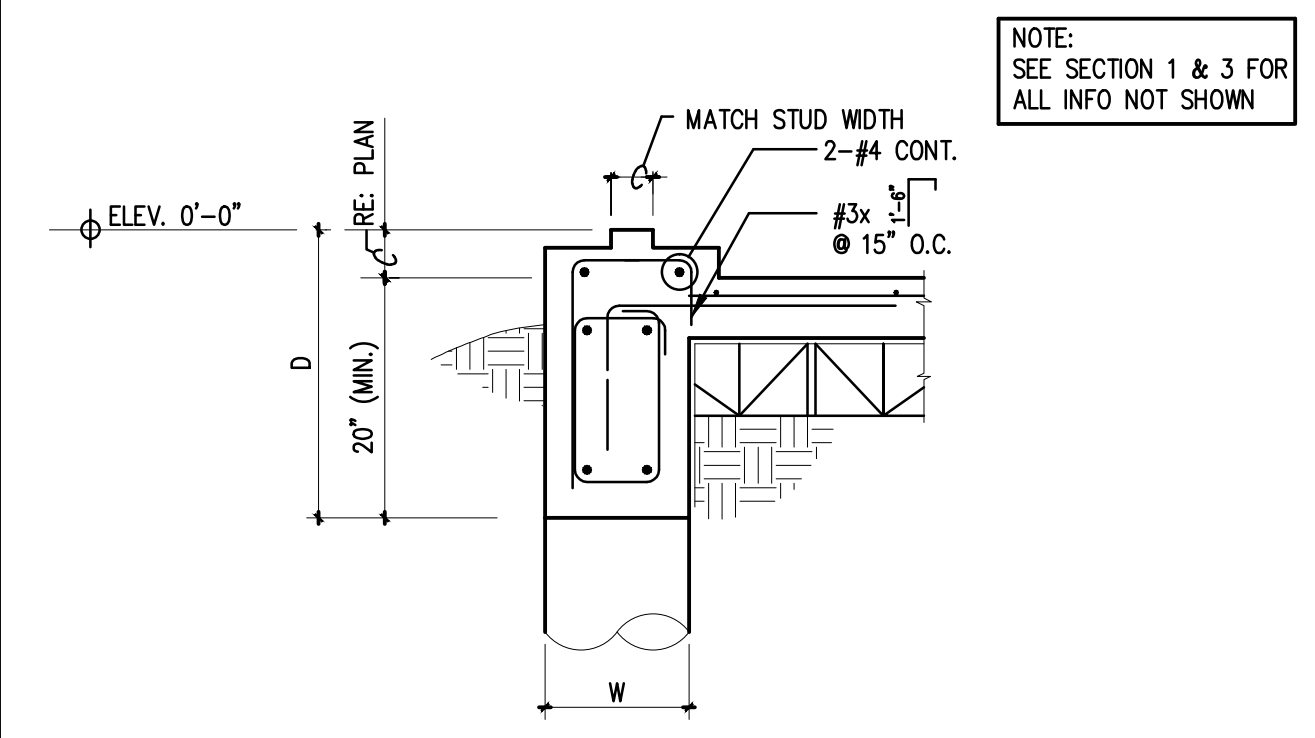
**2 SECTION: TYPICAL GRADE BEAM**



**3 SECTION: TYPICAL GRADE BEAM @ DROPPED SLAB**



**4 SECTION: TYPICAL INTERIOR GRADE BEAM**



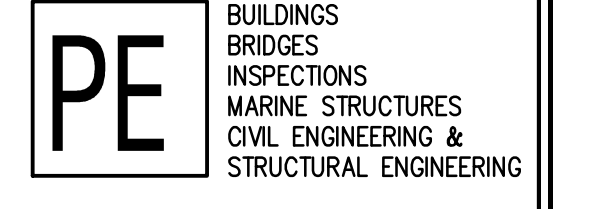
**5 SECTION: TYPICAL GRADE BEAM @ PLINTH W/ BRICK BOTH SIDES**

**FOUNDATION SECTIONS**

**OPTIMUM PERSONAL CARE PH.2**  
1110 LAKEVIEW DRIVE  
SUGAR LAND, TX. 77478

**ISSUE HISTORY**

DATE	ISSUED FOR
	CLIENT REVIEW
	PERMIT
	CONSTRUCTION



**PARAMOUNT ENGINEERING LLC**

10145 LONG POINT DR.  
HOUSTON, TX 77043  
TEL : (713) 636-9977  
FAX : (713) 888-9872  
CEL : (713) 204-1742

TBPE REGISTRATION # F-3394

DRAWN BY: E.V. CHECKED BY: M.M.

PROJ. NO.: PE12-225

SHEET: **S2**